



ST1000 Air Starter

Integral slip clutch design eliminates need for soft-start valve or other controls, reducing shock-loading and ensuring better protection for the unit.

Forged rotating ring gear maximizes life of planetary gearing during long crank cycles.

Patented slip-fit, modular motor design makes servicing simple and convenient.

Patented rotor design enables reliable operation in harsh, contaminated environments by providing an open flow path for particles.

Inlet and outlet positions identical to those on ST900 and ST700 Series starters for easy swap-out. Left- and right-hand rotation options make these starters even more versatile.

Ceramic hybrid bearings are grease-sealed for life, resulting in lower friction at all speeds and cooler running over the long term.

Proprietary wear-resistant coating ensures best resistance to contaminated environments.

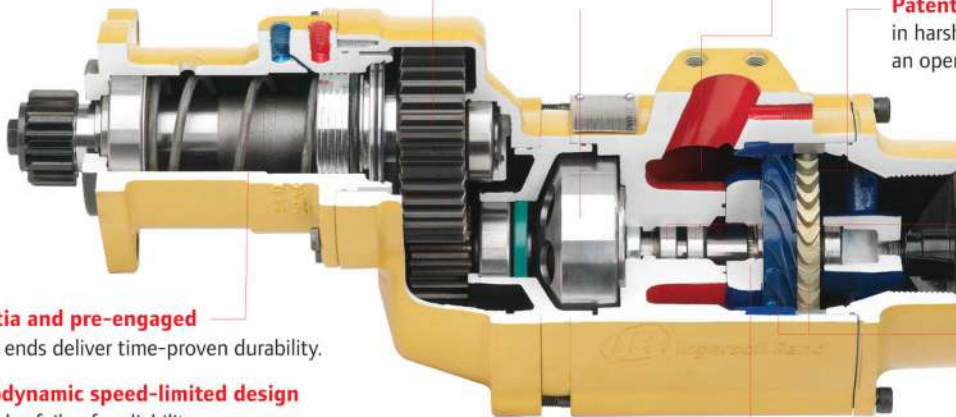
4 inlet, 4 exhaust, and 16 drive housing orientations are flexible for any application.

Inertia and pre-engaged front ends deliver time-proven durability.

Aerodynamic speed-limited design provides fail-safe reliability.

Elbow or straight exhaust configurations available for greater versatility.

Patent-pending, fully supported high-speed rotor extends bearing life by minimizing deflection and ensuring concentric running; a better alternative to cantilever designs.



Ingersoll Rand ST1000 Series air starters are built to withstand the toughest environmental and working conditions— combining robust features and flexibility to deliver reliable, heavy-duty starting in a wide range of industrial, oil and gas, marine, power generation, rail, and mining applications.

ST1000 AIR STARTER COMPARISON

	TDI T121V*	Ingersoll Rand ST1099CP	
Performance Specifications			
Breakaway Torque ft-lb (Nm)	370 (501)	400 (542)	MORE POWER
Max Power Hp (kW)	63 (47)	68 (51)	
Speed @ Max Hp rpm	1800	1770	
Flow @ Max Hp scfm	1606 (758)	1240 (585)	MORE EFFICIENT
Recommended Strainer	40 Mesh	40 Mesh	MORE ROBUST
Soft Start Valve Required	Yes	No	
Weight lbs (kg)	54 (23)	69 (31.3)	
Features and Benefits			
Slip Fit Motor	No	Yes	HIGH TECH CLASS LEADING DESIGN
Ceramic Motor Bearings	No	Yes	
Fully Supported High-Speed Rotor	No	Yes	
Fewer Number of Rotors/Stators	No	Yes	
More Torque for Faster Starts	No	Yes	
Up to 25% Less Air/Gas Consumed	No	Yes	
Proprietary Wear-Resistant Coating	No	Yes	
Integral Slip Clutch	No	Yes	
More Cost-Effective to Operate	No	Yes	

You see the numbers. Now experience the power and efficiency of the ST1000 first hand. Field trials available for qualified customers. Contact us today.

POWER AND EFFICIENCY

ST1000 Series starters consume up to 25 percent less air and gas than other models, which means you benefit from reduced operating costs and lower emissions. They provide best-in-class performance, with up to 8 percent more horsepower than competitive models and up to 18 percent more

DURABILITY

Ingersoll Rand ST1000 Series starters are ideal for harsh environments and difficult starting. Our engineers put the ST1000 Series through rigorous field and lab testing in order to ensure the starters would continue to perform without fail in any condition. A byproduct of this testing is our unique rotor design that won't clog up with particles or debris, and an integral slip clutch that eliminates shock-loading and provides better long-term protection. We use a proprietary wear-resistant coating to deliver outstanding resistance to environmental contaminations.

VERSATILITY

ST1000 Series starters are available in a variety of models, with numerous inlet, exhaust, and drive housing options. With fewer parts and a convenient modular design, these starters are easier, faster, and more cost-effective to install and

